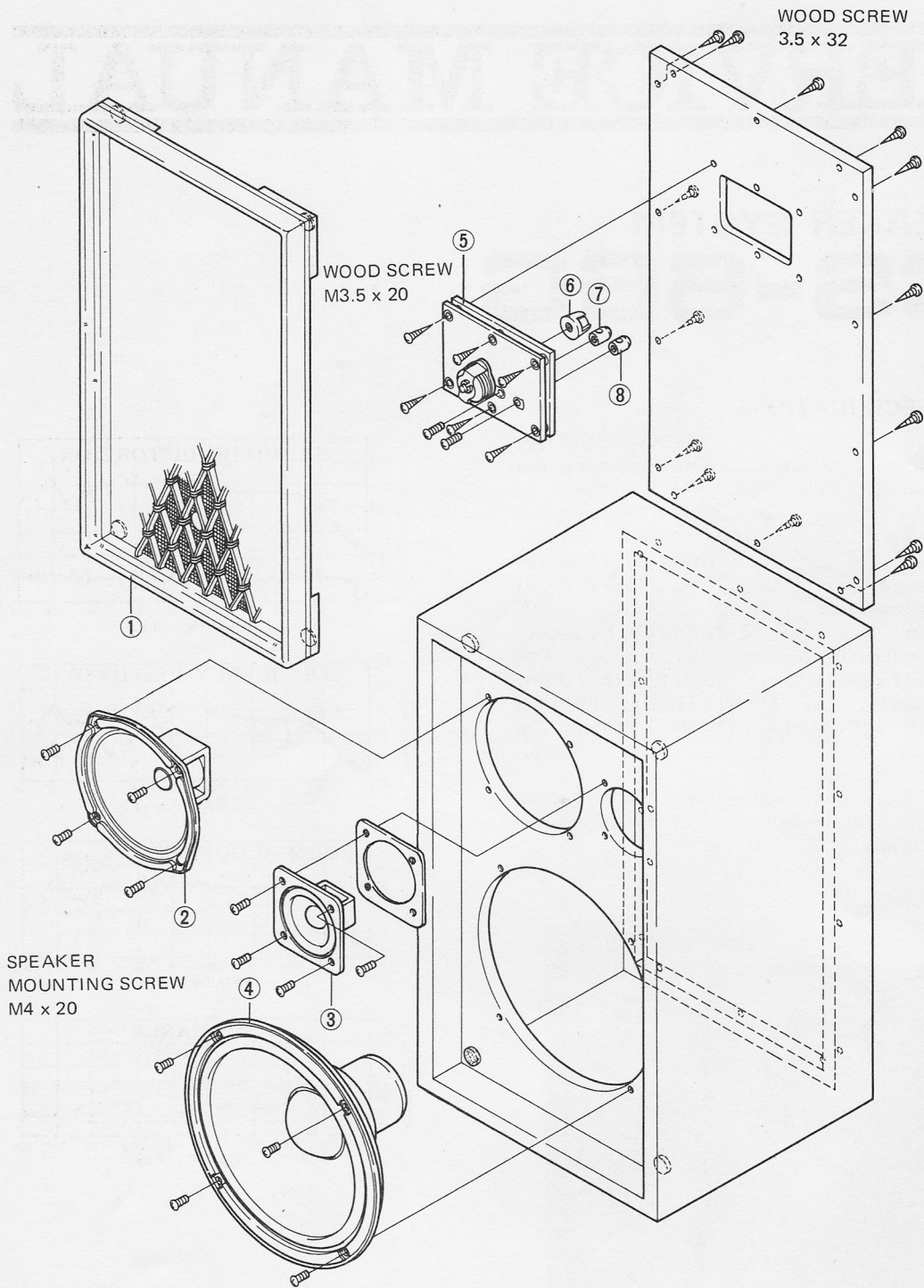
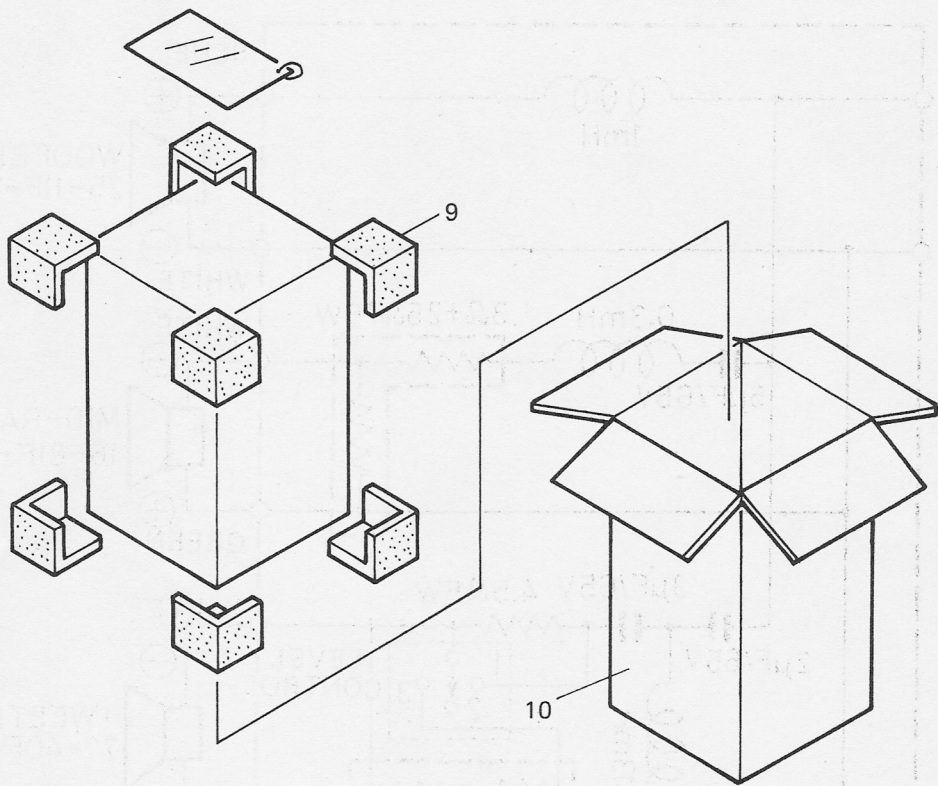


2. EXPLODED VIEW AND PART LISTS



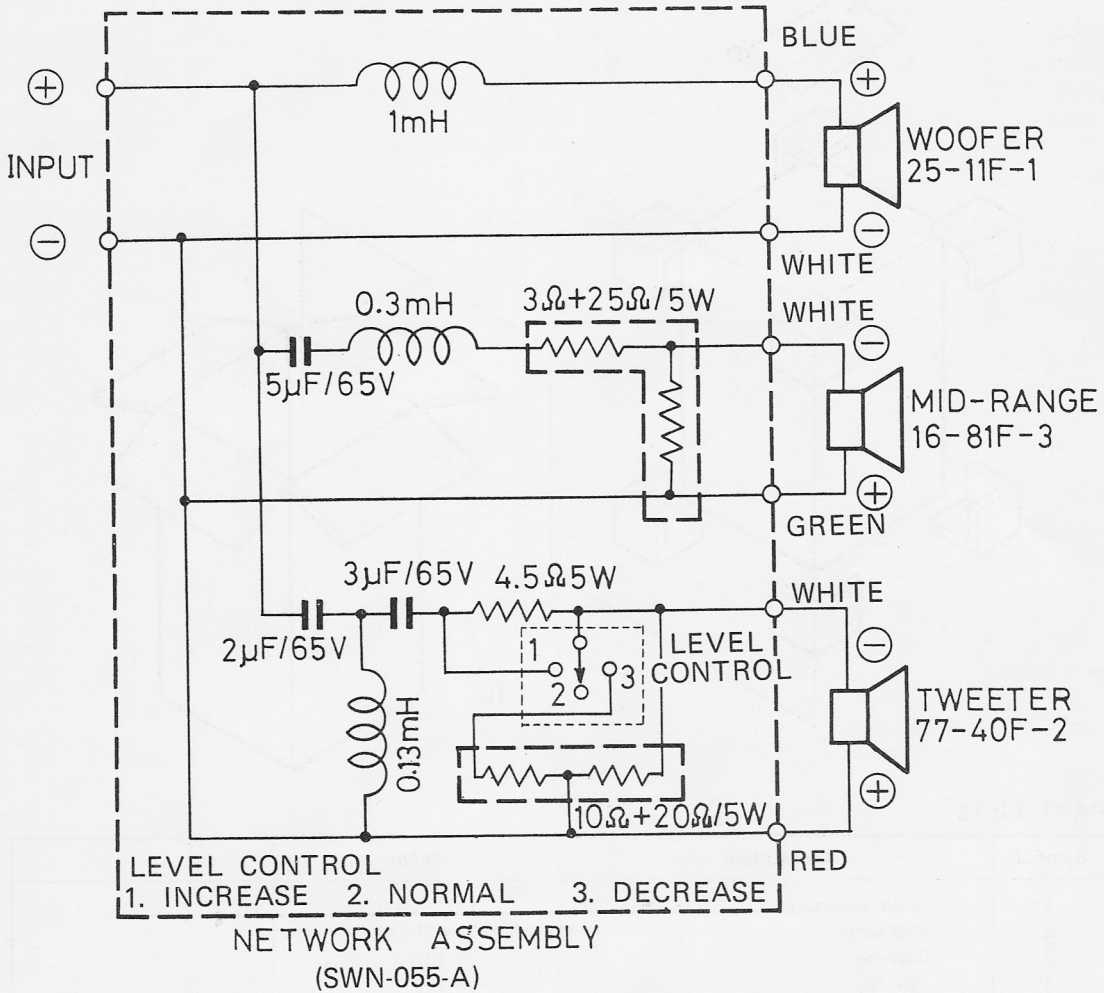
PACKING



PART LISTS

Symbol	Description	Part No.
1	Grille assembly	SXB-124-0
2	Mid range	16-81F-3
3	Tweeter	77-40F-2
4	Woofer	25-11F-1
5	Network assembly	SWN-055-A
6	Level control knob	A19-621-0
7	Input terminal <u>(blue)</u>	K15-612-B
8	Input terminal <u>(white)</u>	K15-612-C
9	Corner pad	SHA-018-0
10	Packing case	SHG-096-0
	Operating guide	SRB-084-0
	Felt pad	E11-048-A

3. CIRCUIT DIAGRAM



PIONEER ELECTRONIC CORPORATION
 4-1, 1-Chome, Meguro, Meguro-ku, Tokyo 153, Japan
U.S. PIONEER ELECTRONICS CORPORATION
 178 Commerce Road, Carlstadt, New Jersey 07072, U.S.A.
PIONEER ELECTRONIC (EUROPE) N.V.
 Meir-Center, Meir 21, 2000 Antwerp, Belgium
PIONEER ELECTRONICS AUSTRALIA PTY. LTD.
 256-B City Road, South Melbourne, Victoria 3205, Australia